

Masport®

EUROPEAN ROTARY MOWERS

SERIES 20 - OPC

	<u>Part number</u>	<u>Model</u>	<u>Engine</u>
MASPORT	479984	Maxicut SPV Combo	B & S LSE 60

Month and Year of First Manufacture - July 2009
SERIAL NUMBER FROM - 7231785



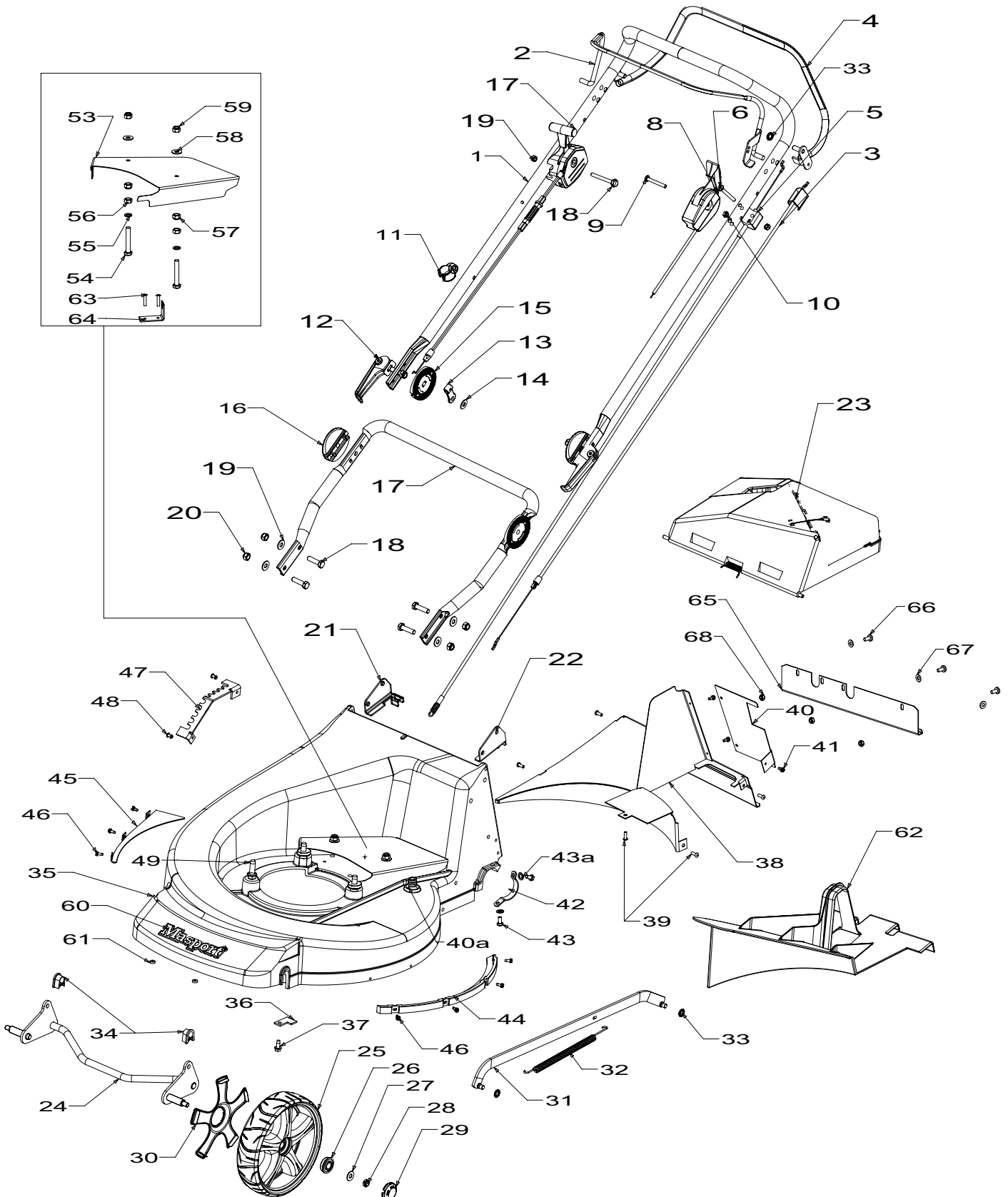
Issue B.1
June 2015 BH
REF # 779984S



Maxicut SPV Combo
Powered by: B&S LSE 60

Masport

Issue B.1
June 2015 BH
REF # 779984S



When ordering PLEASE QUOTE PART NUMBER & Description, NOT Illustration No.
Determine right or left hand side from standing in operating position (standing at handle)



Maxicut SPV Combo
Powered by: B&S LSE 60

Masport

Issue B.1
June 2015 BH
REF # 779984S

Item No	Part No	Description	Qty	Item No	Part No	Description	Qty
1	773805	Handle & Sleeve- Upper, Adj OPC	1	33	501365	Clip- Starlock, 5/16"	4
2	981740	Bail Arm Assy, OPC Flatnd	1	34	580030	Bush- Pivot, Axle	2
3	583395	Cable- Engine, OPC Push On	1			__==__	
4	982161	Bail Arm Assy, SP	1	35	773590	Housing Assy-AliT20"COSP Ttn	1
5	582235	Cable- Clutch, Thumb Wheel	1			incl items 36 - 41	
6	503604	Screw, Pan M6x45 Poz ZP	1	36	980564	*Plate- Retainer, Front Axle 18"	2
7	501764	Nut, M6 Nylocx 6 Thck	1	37	501599	*Screw, S/T 1/4x5/8 Hex	2
8	583458	Control- Throttle, Housing Wescon	1	38	571090	*Tunnel Assy, 20" SP/PUSH	1
9	503604	Screw, Pan M6x45 Poz ZP	1	39	503201	*Rivet- Pop 4x7.9	5
10	501764	Nut, M6 Nylocx 6 Thck	1	40	573576	*Tunnel- GBox Cover 20" Ali	1
11	703856	Comfort Start Kit	1	40a	503783	Cyclowash Fitting	1
12	980456	Cam Lock Assy	2	41	503630	*Screw, S/T M4x10 Washer	3
13	581527	Retainer- Clutch Cable	1	42	580586	Retainer, Axle Rear	2
14	501606	Washer, Flat 8x19x1.6	2	43	501599	Screw, S/T 1/4x5/8 Hex	4
15	581660	Disc- Locking, Outer	2	43a	500201	Washer SPG	4
16	581659	Disc- Locking, Inner	2	44	581524	Deflector- Air, LH Plastic	1
17	773327	Control Speed x 8 SPV Assy	1	45	982549	Deflector- Air, RH Stl	1
18	503508	*Screw, Pan M6x55	1	46	503630	Screw, S/T 10x.4 Typ B	7
19	501764	*Nut, M6 Hex Nyloc	1	47	573325	Quadrant, Height Selector Stl	1
		__==__		48	503200	Rivet- Pop 4.8x13	2
20	981712	Handle- Lower, "U" Adj 18"	1	49	580453	Screw, S/T 3/8x1-1/8"UNC Triblk	3
21	501598	Screw, Set M8x25 Hex	4	53	573583	Cover- Belt, 20" SP	1
22	501606	Washer, Flat 8x19x1.6	4	54	580160	Screw, Set M6x50 HT	2
22a	501793	Nut, M8 Nylocx 8 Thck	4	55	500201	Washer, Spring 6	2
22b	573430	Bracket- RH, 20" AL Aero	1	56	501682	Nut, M6 Hex	2
22c	573429	Bracket- LH, 20" AL Aero	1	57	501764	Nut, M6 Hex Nyloc 6 Thck	2
		__==__		58	501703	Washer, Flat 6x14x1.2	1
23	981649	Flap Assy, Smart Chute 18"	1	59	501764	Nut, M6 Hex Nyloc 6 Thck	2
		__==__		60	581240	Nameplate	1
24	983281	Axle Assy, Front 200mm Thrd	1	61	503150	Clip- Starlock, 5 Dia	2
25	579203	Wheel Assy- 200mm BB Mag Sil	2	62	573588	Insert- Mulching, 20"	1
		incl item 26		63	503360	Rivet-Pop 4.8x9.0	2
26	551212	• Bearing- Wheel, Ball Type	4	64	573387	Bracket cable SPV	1
27	501606	Washer, Flat 8x19x1.6	2	65	571085	Hook Aero Catcher	1
28	503831	Nut, M8 Hex Nyloc 6 Thck	2	66	503591	Screw, Pan M6x12	3
29	579204	Hub Cap, Button Mag Silver	2	67	501703	Washer Flt 6x14x1.2	3
30	579205	Cover- Inner, Wheel	2	68	501764	Nut, M6 Hex Nyloc	3
31	980143	Rod Assy, Connecting SP	1			NOT ILLUSTRATED	
32	580621	Spring, Counter Balance SP	1		569324	Owners Manual	1
					580778	Stop Rope	1

Bold Text = Assemblies
Bulleted Text = Items included in Assemblies

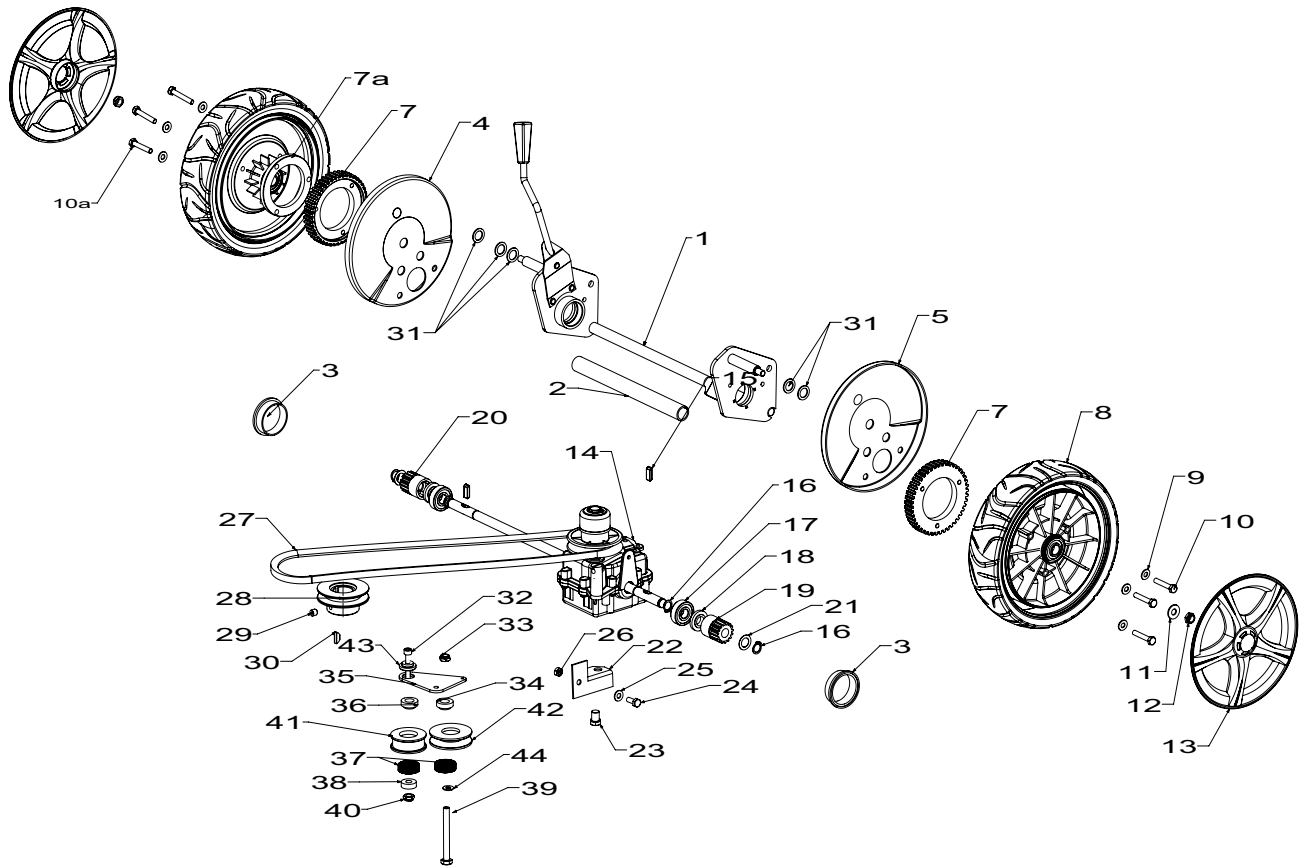
When ordering PLEASE QUOTE PART NUMBER & Description, NOT Illustration No.
Determine right or left hand side from standing in operating position (standing at handle)



Maxicut SPV Combo
Powered by: B&S LSE 60

Masport

Issue B.1
June 2015 BH
REF # 779984S

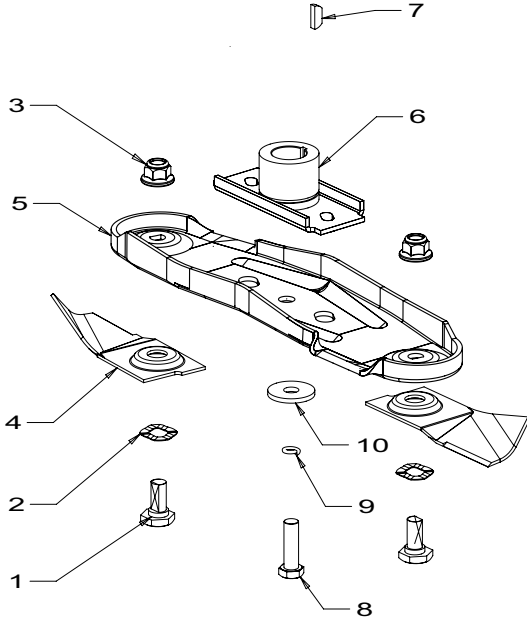


Item No	Part No	Description	Qty	Item No	Part No	Description	Qty
1	573772	Axle Assy, Rear Compl 20" SP	1	23	501863	Screw, Set M8x12	1
2	580614	Sleeve, Rear Axle SP	1	24	501702	Screw, Set M6x16	1
3	580091	Bush- Pivot, Rear Axle	2	25	501703	Washer, Flat 6x14x1.2	1
4	579426	Dust, Cover RH	1	26	501764	Nut, M6 Nyloc 6 Thck	1
5	579427	Dust, Cover LH	1	27	573183	Belt- V NO.6739 3L-991	1
6	501959	Screw, Set M6x12 Hex	2	28	573554	Pulley- Engine, 25Bx68Dx28.5H	1
7	569180	Gear, Driving- 45 Teeth	2	29	503386	Screw, Grub M8x8	1
7a	569479	Spacer Gear Driving	1	30	503363	Key- W/Ruff 5/8x3/16x1/4	1
8	579070	Wheel Assy- 220mm BB MSV SP	2	31	503301	Washer, Flt 1/2x3/4x18G	5
9	501703	Washer, Flat 6x14x1.2	6	32	503961	Screw, Cap M6x40	1
10	501815	Screw, Set M6x35	3	33	501764	Nut, M6 Hex Nyloc	2
10a	503794	Screw, Set M6x40	3	34	573381	Spacer -SPV Drive	1
11	501606	Washer, Flat 8x19x1.6	2	35	573815	Plate Carrier 20" SPV	1
12	503831	Nut, M8 Nyloc 6 Thck	2	36	573381	Spacer -SPV Drive	1
13	579207	Hub Cap, 220mm MSV SP Silver	2	37	503901	Brg Bal 12x28x8	2
14	573360	Gear Box, Variable Speed	1	38	573393	Spacer Bottom SPV	1
15	581092	Pawl, Pinion 950 SP	2	39	501963	Screw, Set M6x25	1
16	503759	Circlip, 12 EXT DIN 471	4	40	501764	Nut M6 Hex Nyloc	1
17	501213	Bearing, 12x32x10 6201 2RS	2	41	573382	Pulley Flat Idler, SPV	1
18	581093	Cap, Pinion 950 SP Plastic	2	42	573383	Pulley-V Idler	1
19	569178	Pinion, LH 12 Teeth	1	43	573385	Spacer Top	1
20	569179	Pinion, RH 12 Teeth	1	44	501703	Washer, FLT 6x14x1.2	1
21	503102	Washer, Flat 12x20x0.4	2				
22	573770	Mount, Gearbox	1				

When ordering PLEASE QUOTE PART NUMBER & Description, NOT Illustration No.
Determine right or left hand side from standing in operating position (standing at handle)

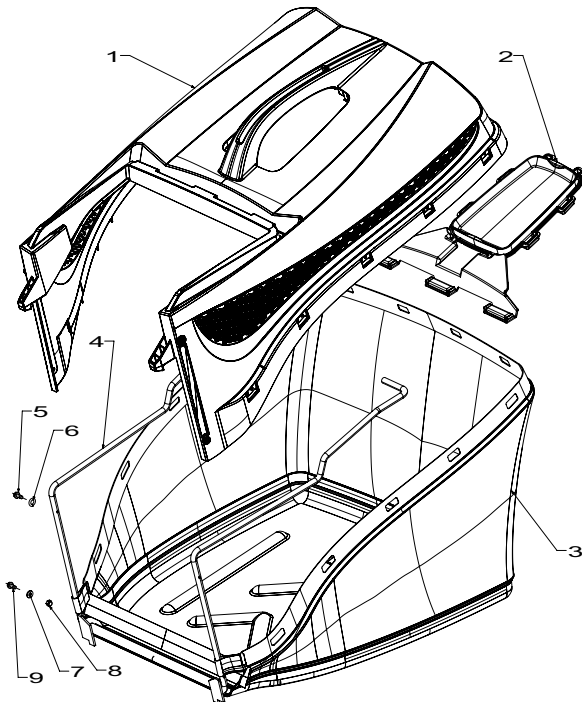


515mm Blade Assembly



Item	Part No	Description	Qty
1	581707	Bolt-Blade	2
2	580693	Washer, Wavy 13.4 x 24.2	2
3	503672	Nut, Flange Nyloc M10	2
4	582379	Blade, Quick Cut - 515mm	2
5	580653	Carrier, Blade Quick Cut	1
6	031640	Driver Assy-Blade - 25mm ZP	1
7	503363	Key, Woodruff - 5/8" x 5/32" x 1/4"	1
8	581610	Bolt, Hex NF 3/8x1.5 NYG8	1
9	500204	Washer, Spring 3/8"	1
10	503667	Washer, Flat 9.75 x 30 x 4	1

Catcher Assembly Aero - 773400



Item	Part No	Description	Qty
1	573369	Catcher, Top 18/20"	1
2	573370	Catcher, Top Insert	1
3	573371	Catcher, Bottom 18/20"	1
4	573372	Catcher, Frame 18/20"	1
5	503834	Screw, S/T M4x10	2
6	501024	Washer- Spg 4	2
7	503593	Washer, Flat 4 x 8 x 1.0	2
8	503875	Nut, M4 Hex Nyloc	2
9	501023	Screw, Set M4x20	2